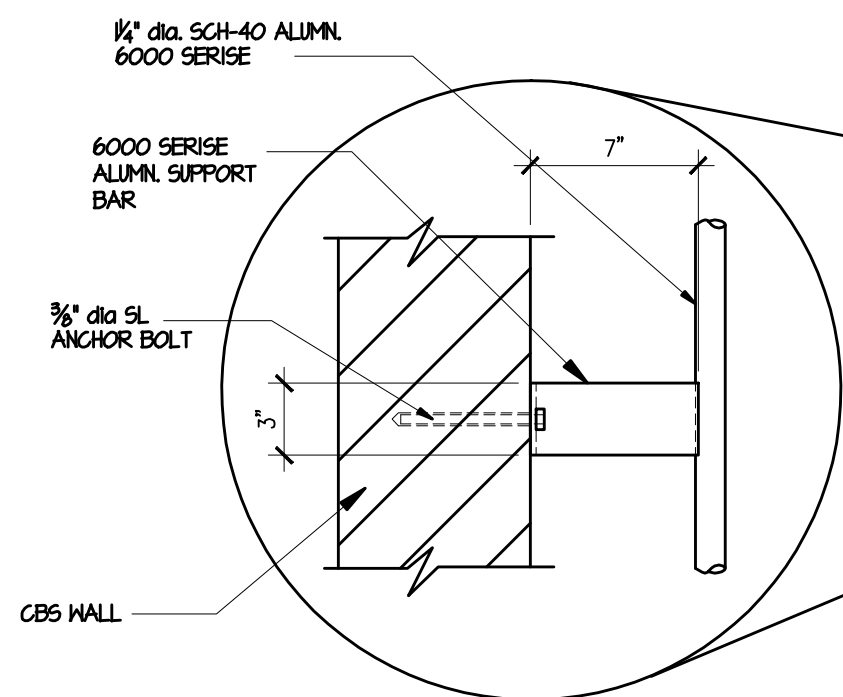


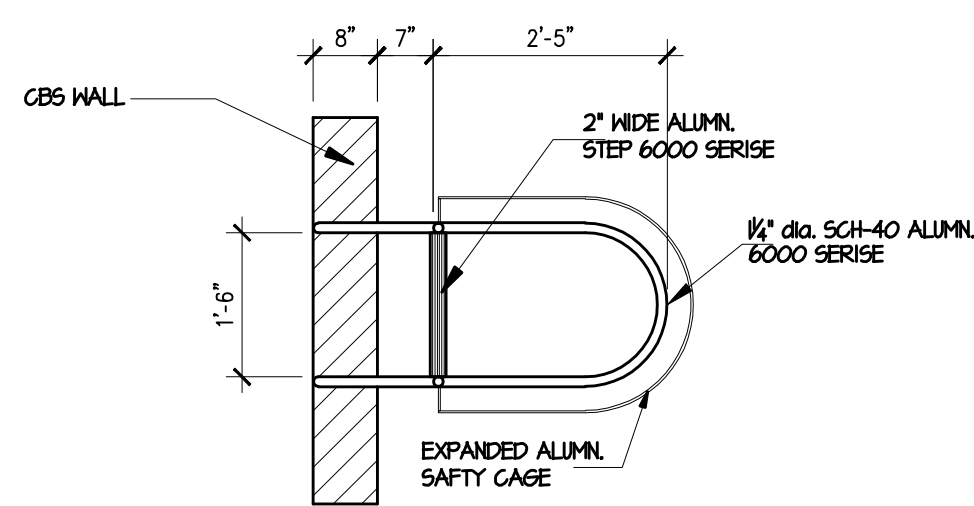
**SECTION-A**

SCALE 1/2" = 1'-0"



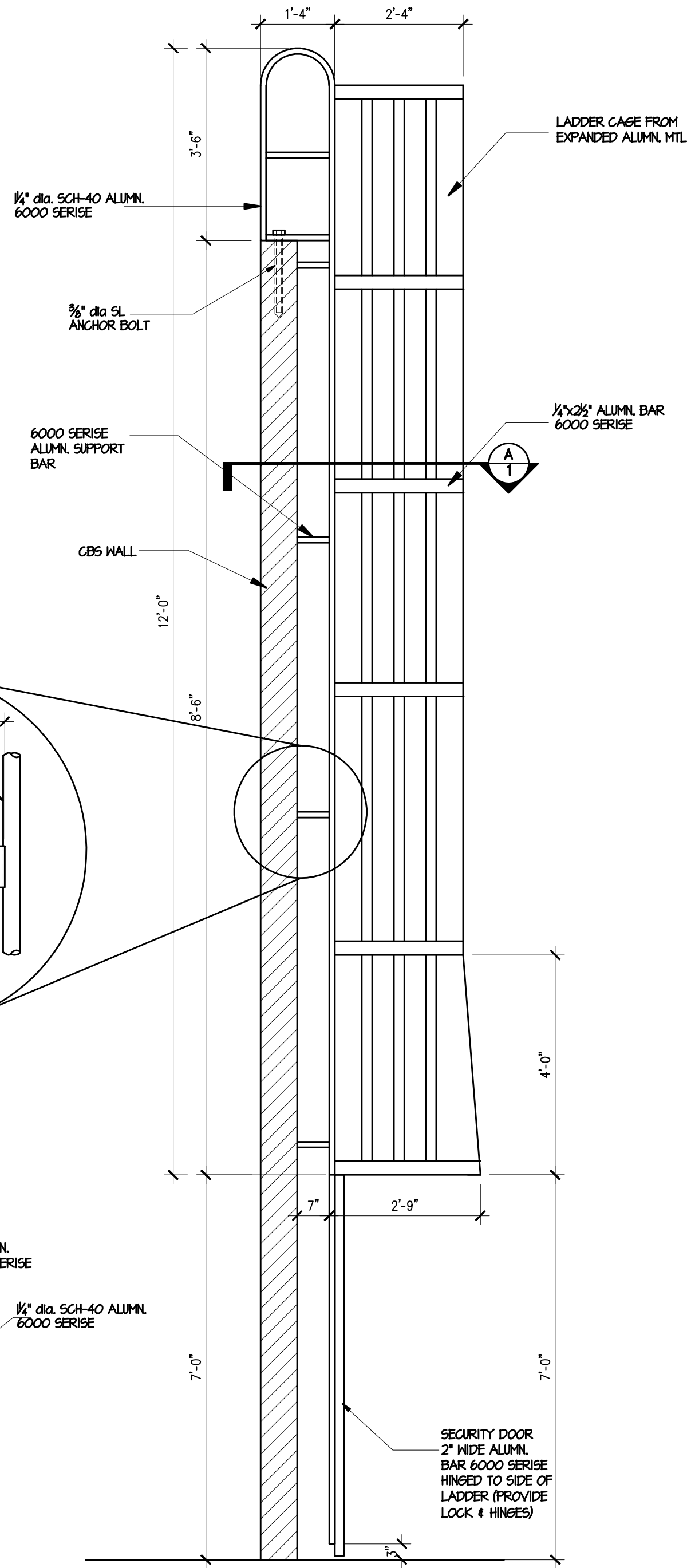
**anchorage detail**

SCALE 3/4" = 1'-0"



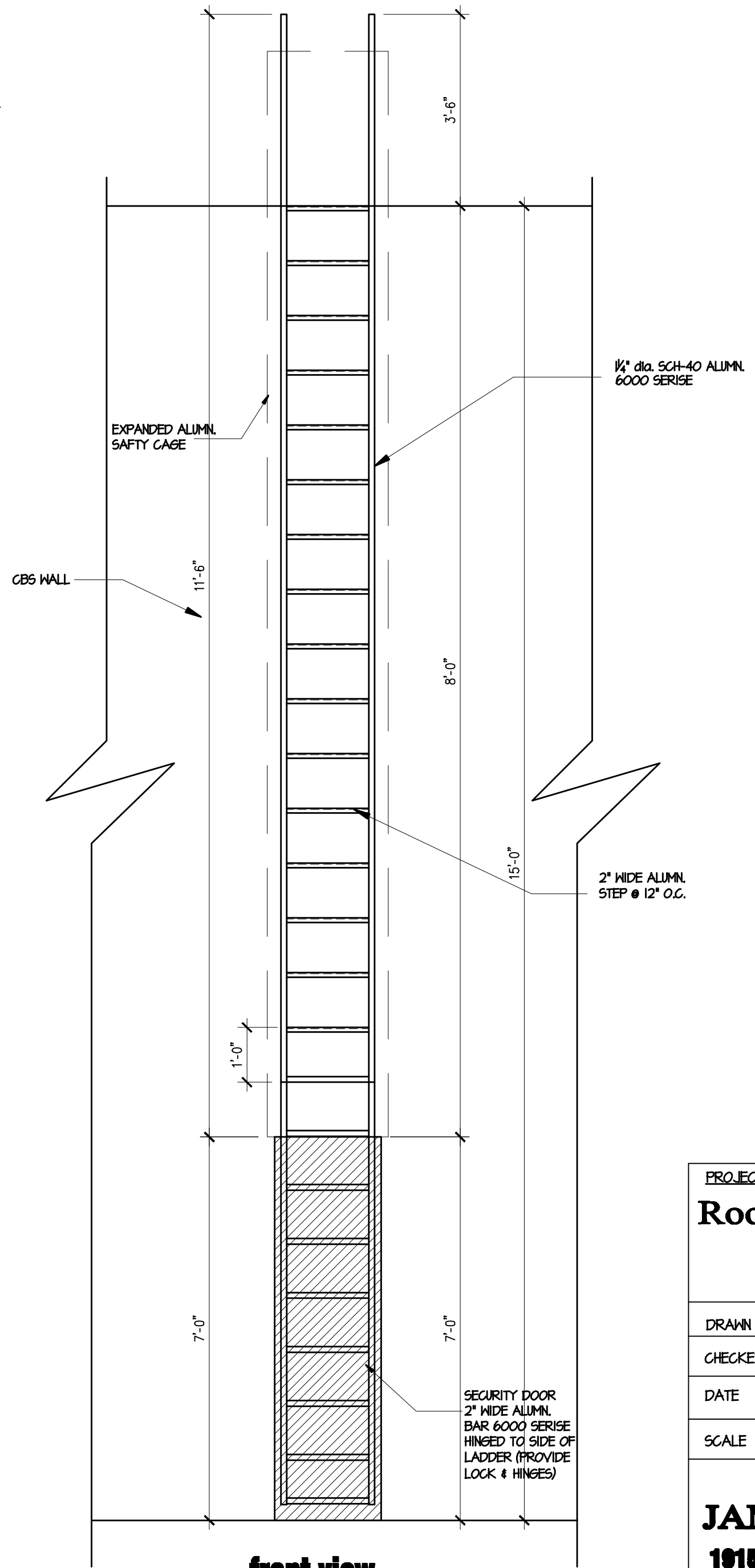
**top view**

SCALE 1/2" = 1'-0"



**side view**

N.T.S.



**front view**

N.T.S.

<b>PROJECT:</b>	
<b>Roof access Ladder</b>	
DRAWN BY	m. e. philpot
CHECKED BY	J. Biagi
DATE	11-19-2007
SCALE	AS NOTED
<b>JAMES F. BIAGI, P.E.</b>	
1915 NE 45th STREET # 107 FT. LAUDERDALE, FL. 33308 PHONE: (954)776-8884 Florida #37467	