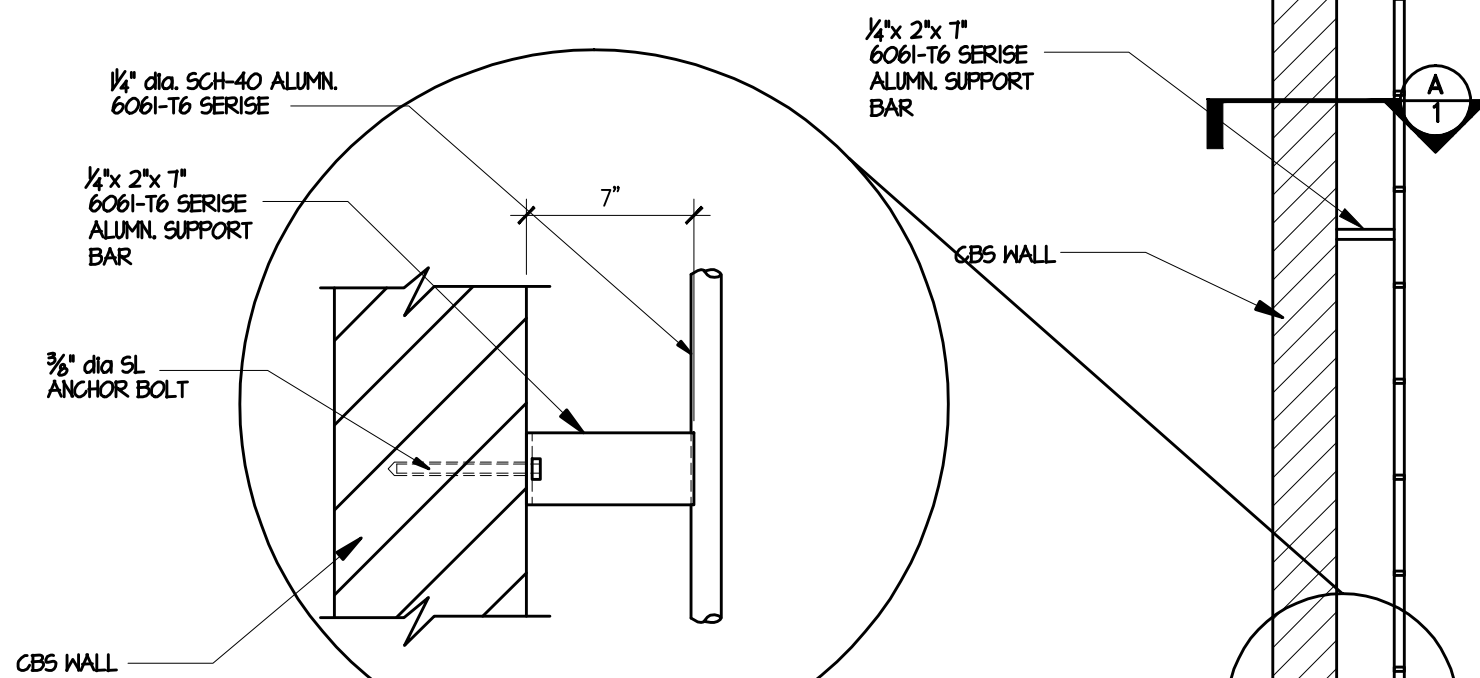


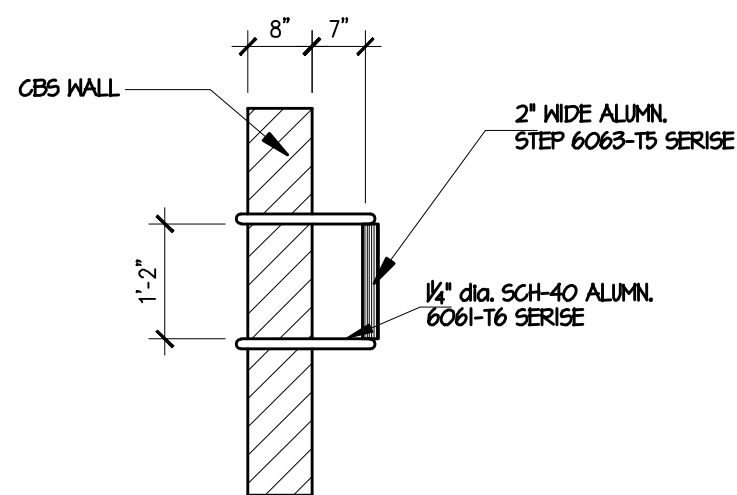
SECTION-A

SCALE 1/2" = 1'-0"



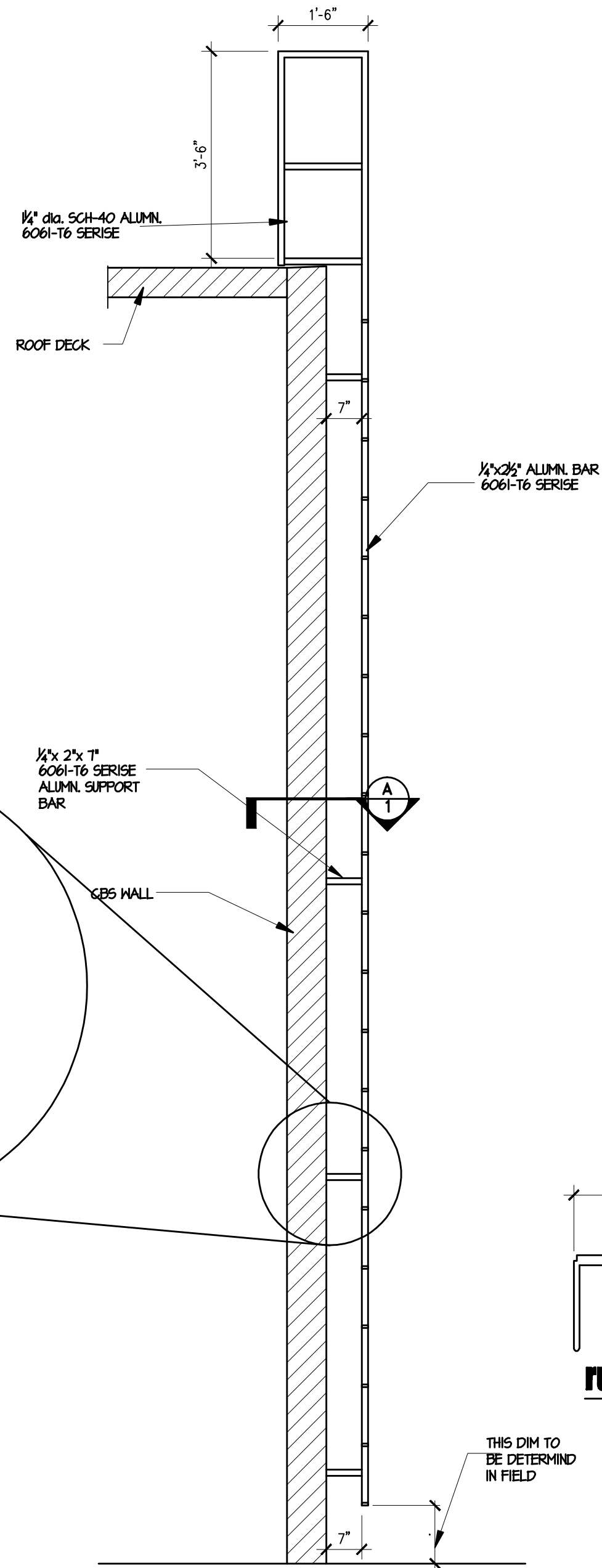
anchorage detail

SCALE 3/4" = 1'-0"



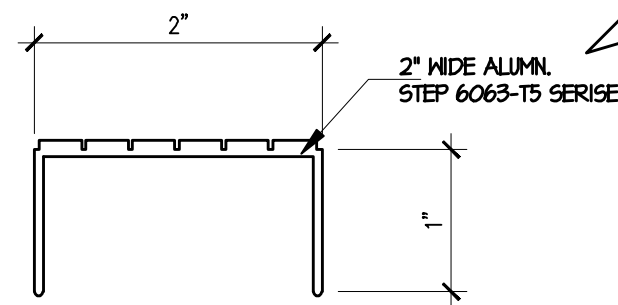
top view

SCALE 1/2" = 1'-0"

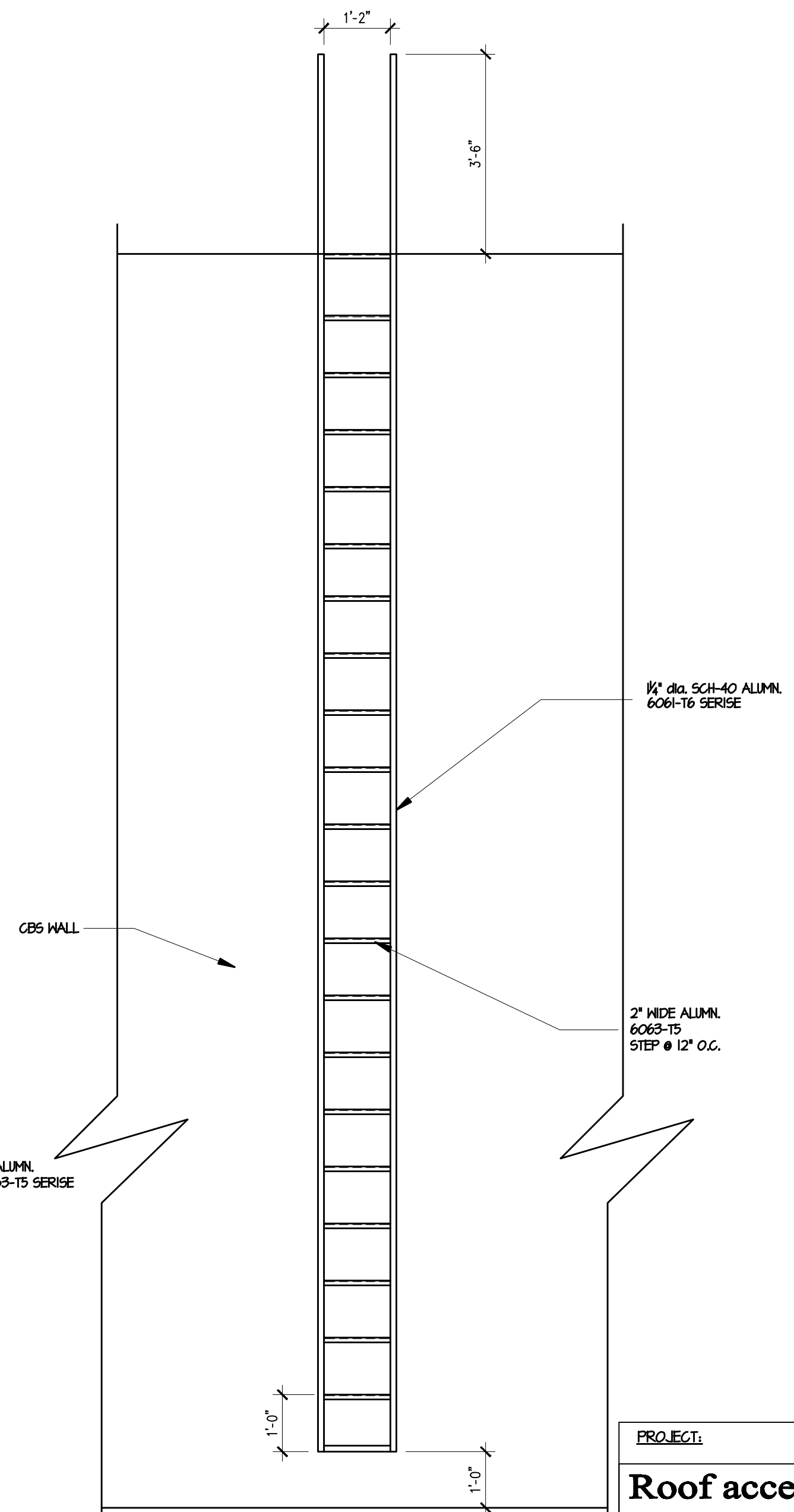


side view

SCALE 1/2" = 1'-0"



rung design



front view

SCALE 1/2" = 1'-0"

PROJECT:	
Roof access Ladder	
DRAWN BY	m. e. philpot
CHECKED BY	billy
DATE	04-21-2008
SCALE	AS NOTED